

IMPORTANT

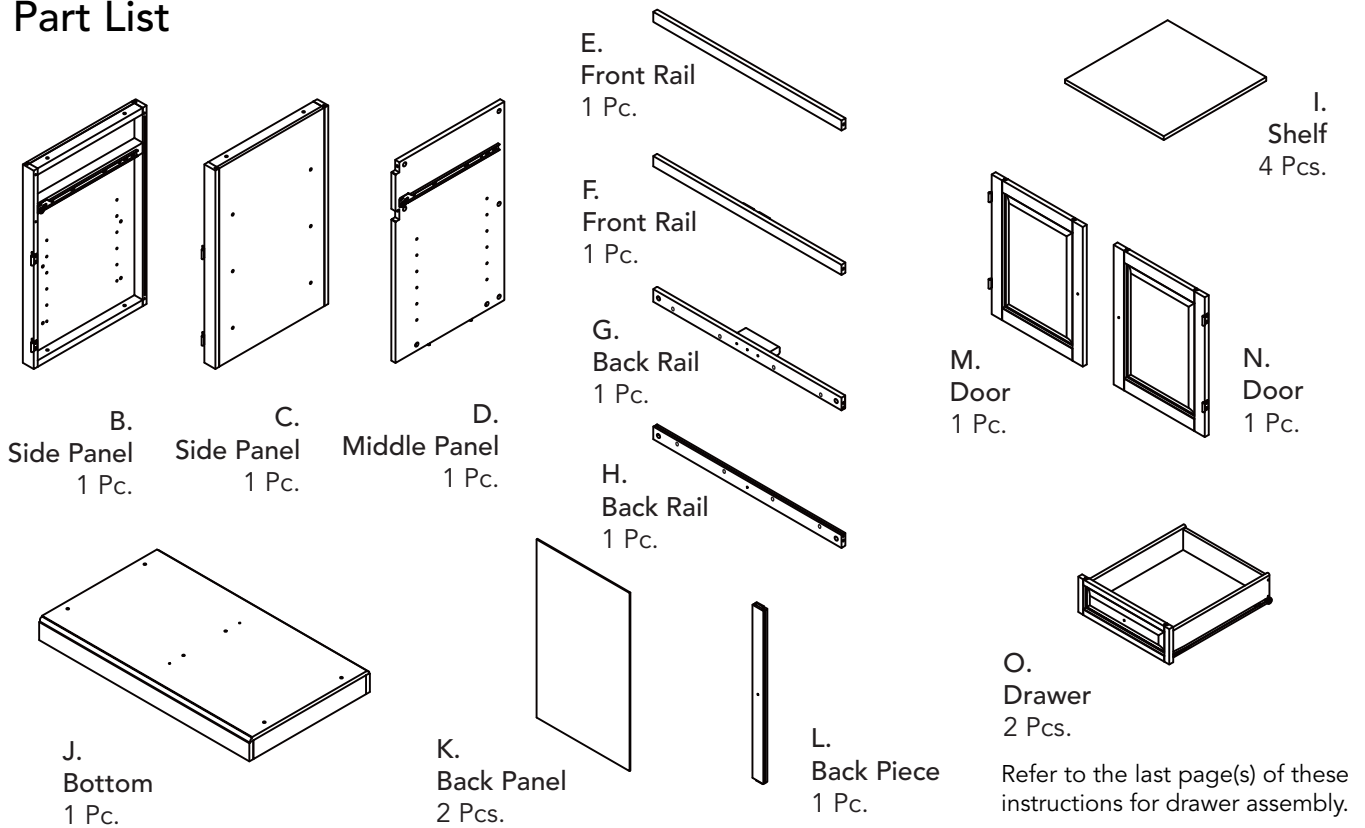
Carefully remove all the parts from the carton and place them individually on a soft cloth to prevent scratches or other damage.

Carefully and strictly follow these assembly instructions to ensure a completed product as designed.

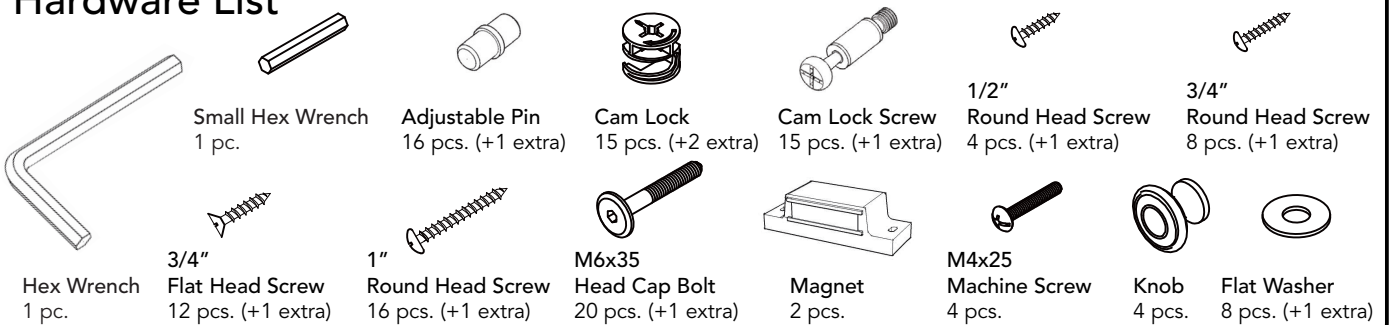
Do not use power tools above 8 volts to assemble.

Patent 8,584,600 B2

Part List



Hardware List



Cartons 88 5008 942, 88 5008 943 or 88 5009 943 are also needed for assembly.

Tool(s) required for assembly: Phillips screwdriver, Level

Assembly Instructions 2/8

IMPORTANT

- Use a soft cloth between these parts and the floor.
- Do not use power tools above 8 volts to assemble.
- Do not tighten all the bolts until each part is properly assembled.
- The unit must be level to work properly. Use the included adjustable levelers to level.
- Keep Hex Wrench in a safe place as the bolts may need to be tightened up in the future.

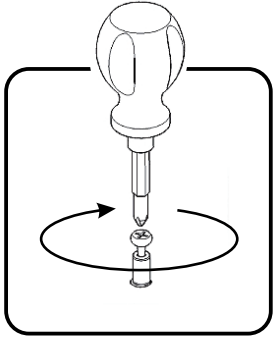
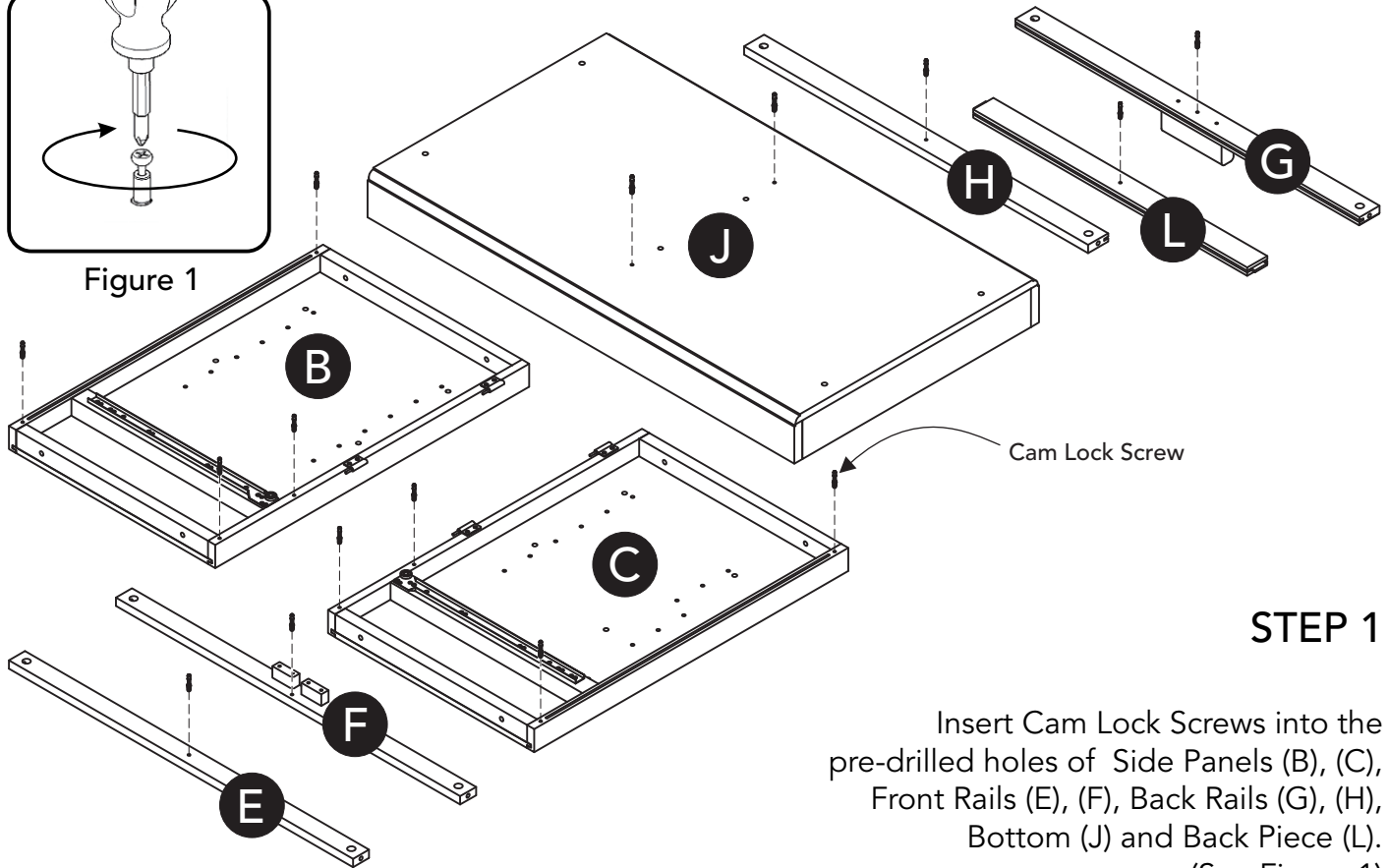


Figure 1



STEP 1

Insert Cam Lock Screws into the pre-drilled holes of Side Panels (B), (C), Front Rails (E), (F), Back Rails (G), (H), Bottom (J) and Back Piece (L). (See Figure 1)

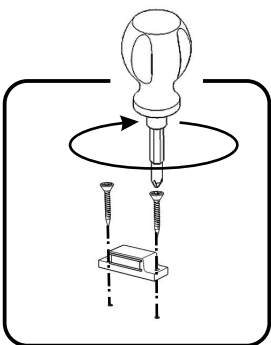
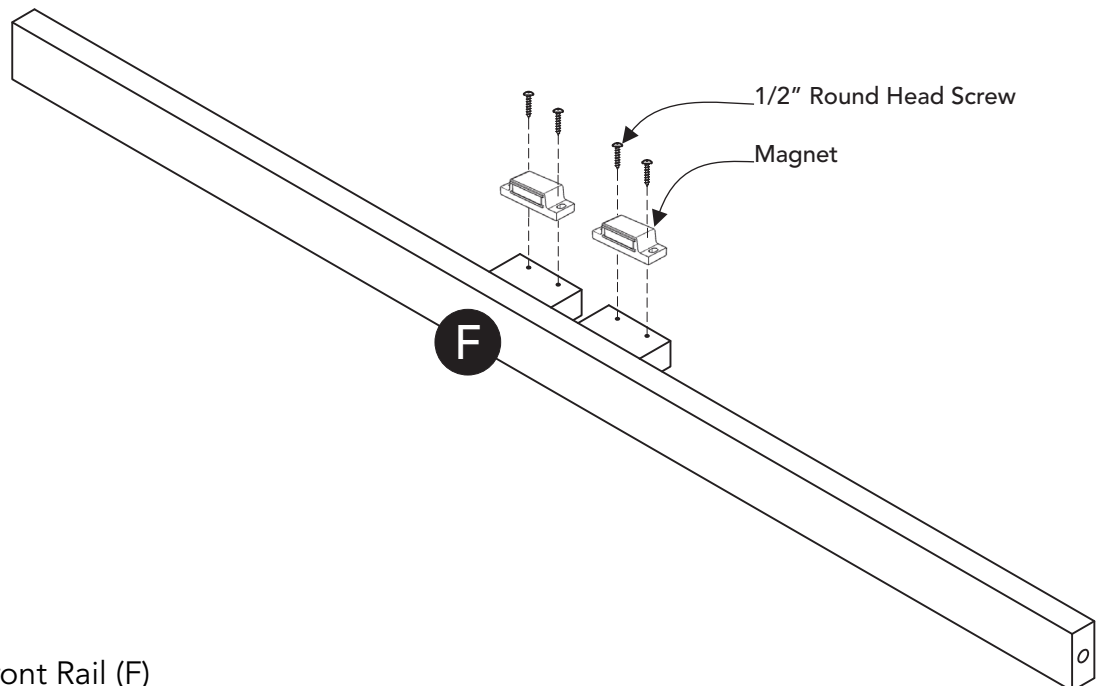


Figure 2

STEP 2

Attach Magnets to Front Rail (F) with 1/2" Round Head Screws. (See Figure 2)



Assembly Instructions 3/8

STEP 3

Attach Middle Panel (D) to Front Rails (E), (F), Back Rails (G), (H) and Back Piece (L) with Cam Locks. (See Figure 3)

Slide Back Panels (K) into place.

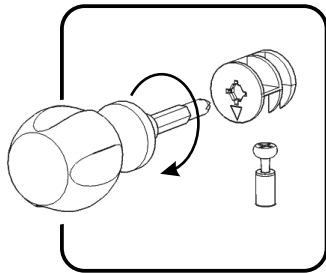
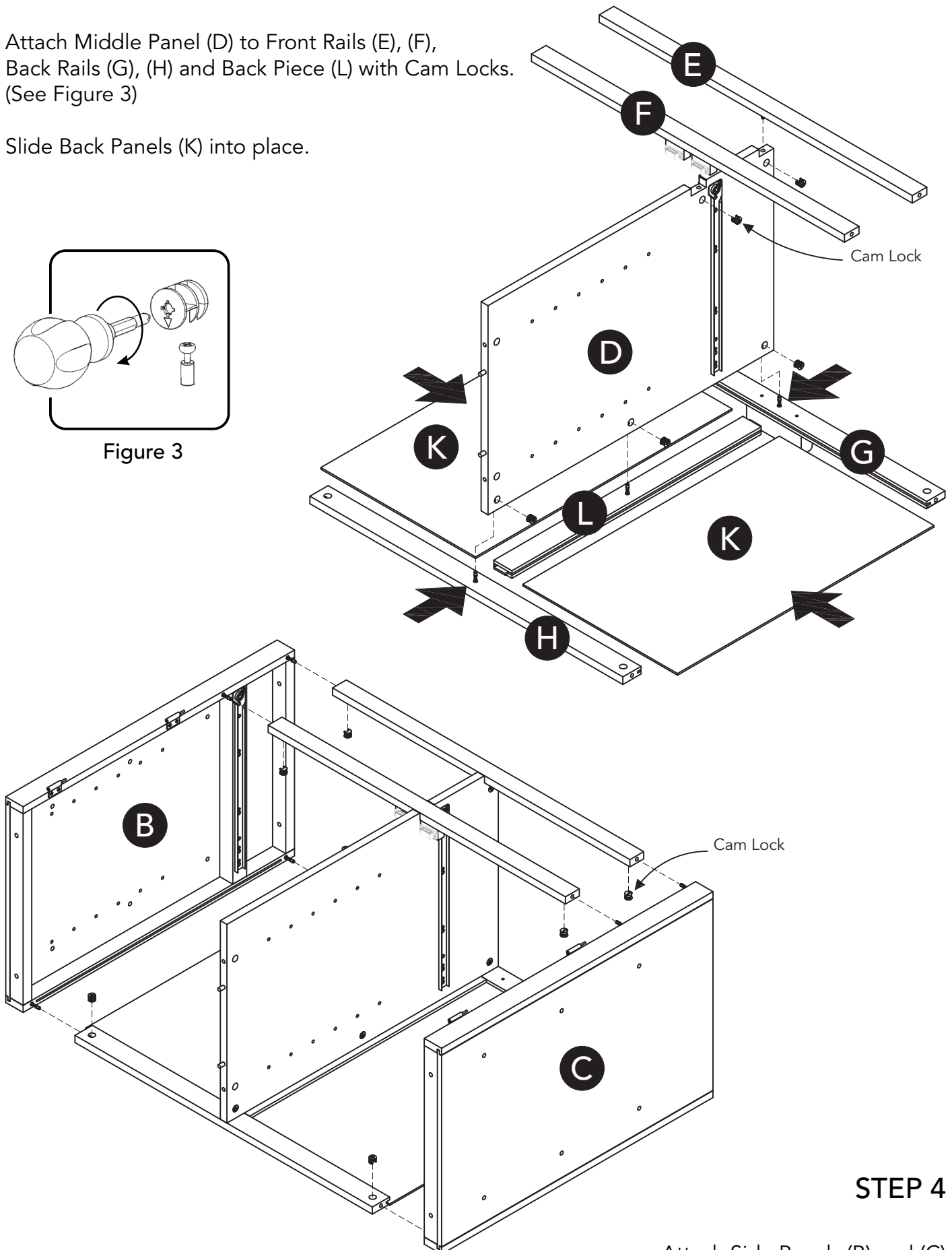


Figure 3



STEP 4

Attach Side Panels (B) and (C) to unit with Cam Locks.

Assembly Instructions 4/8

STEP 5

Attach Bottom (J) to unit with Cam Locks, Head Cap Bolts and Flat Washers.

Tighten bolts using Hex Wrench.
(See Figure 4)

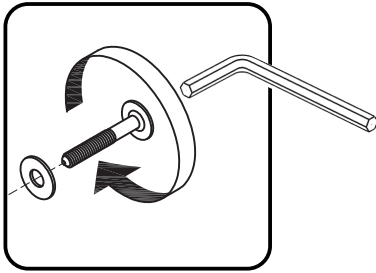
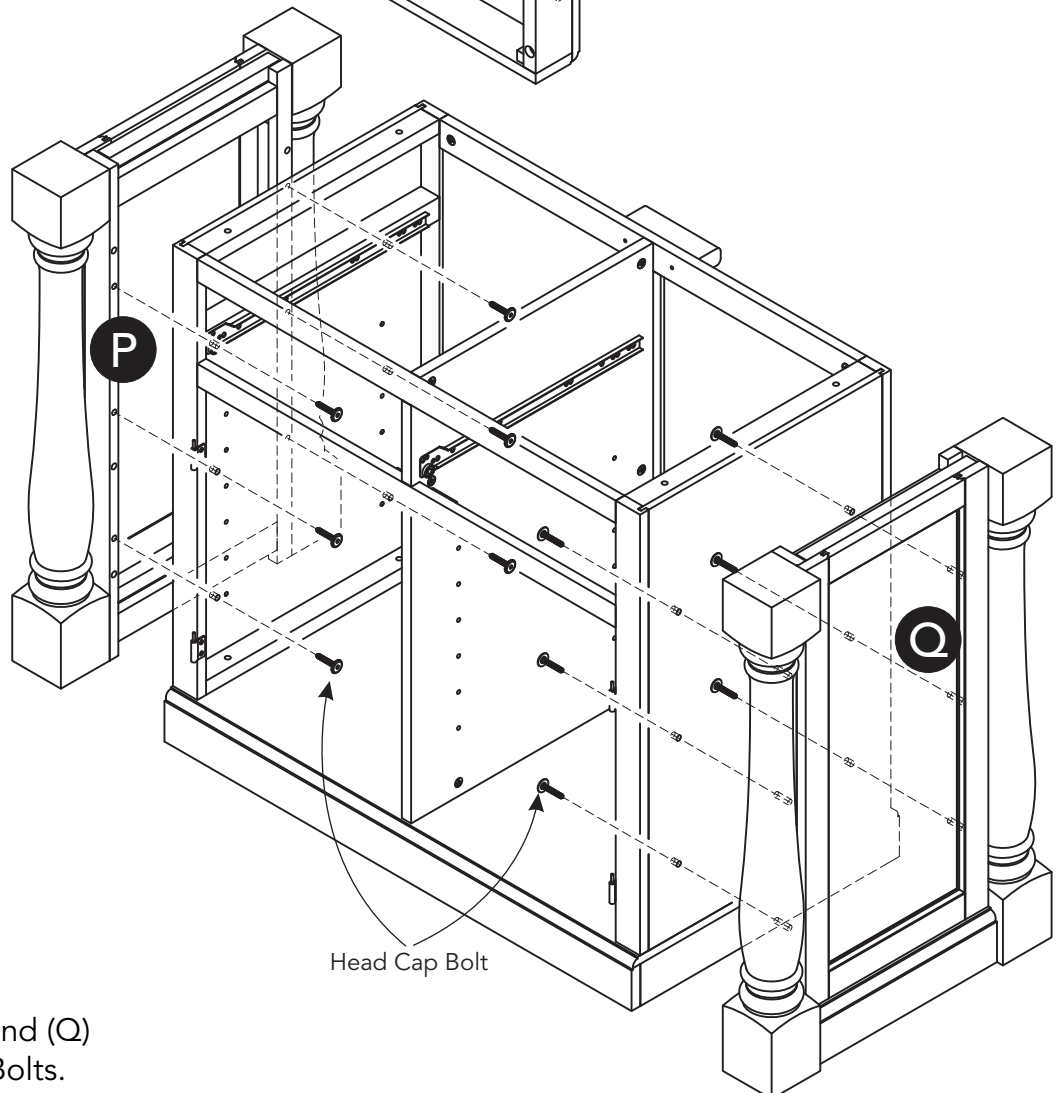
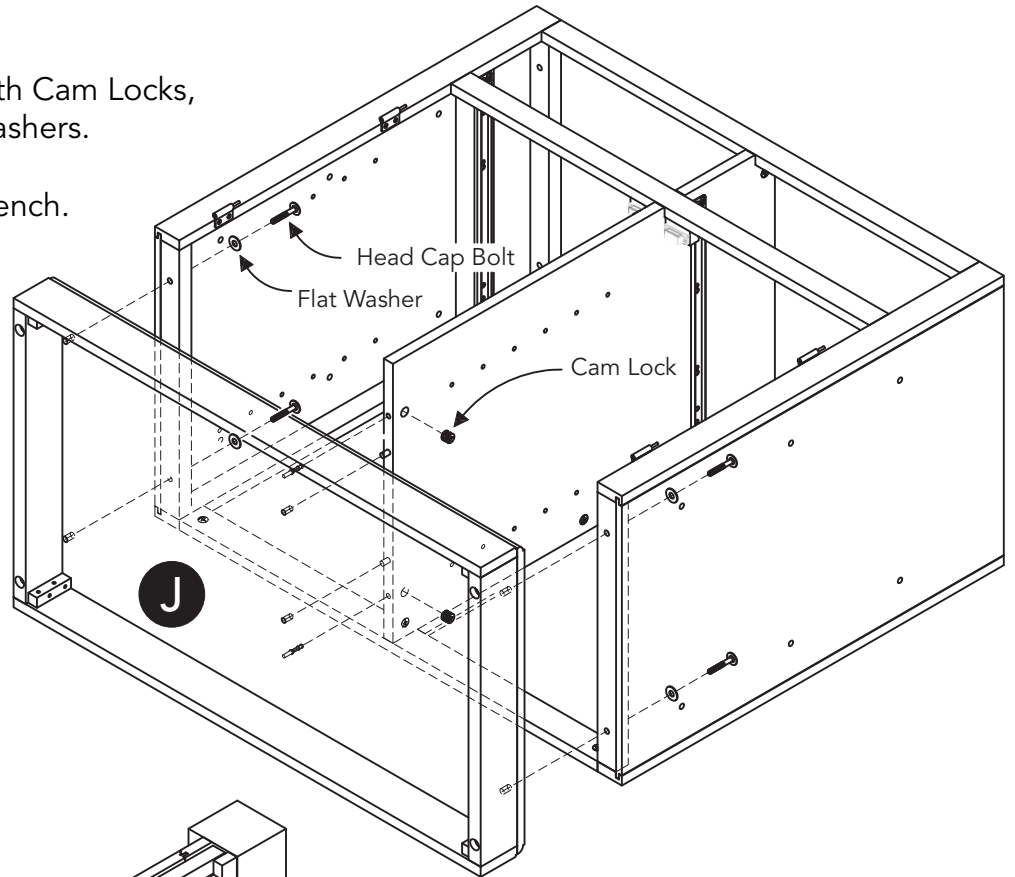


Figure 4



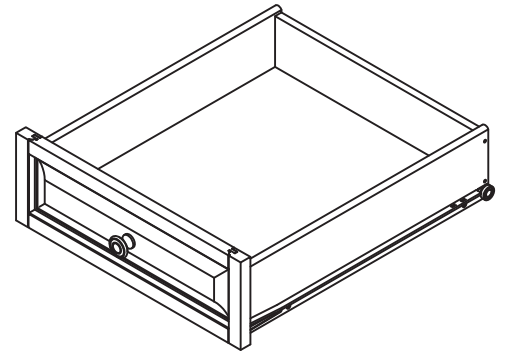
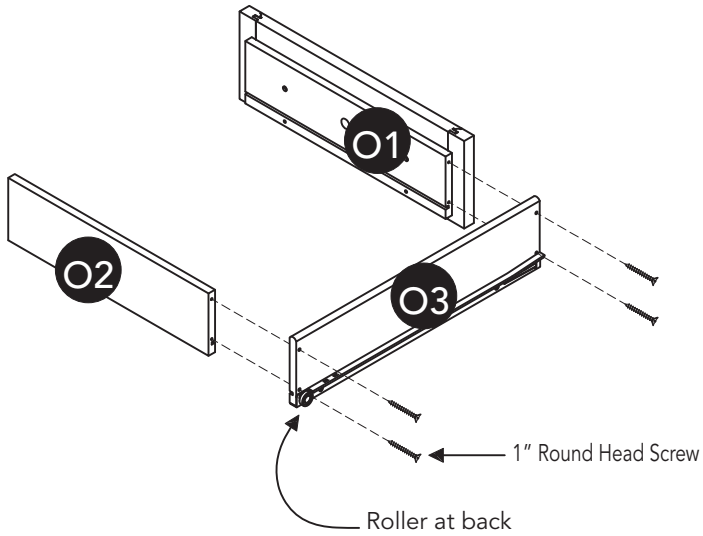
STEP 6

Attach Frame Legs (P) and (Q)
to unit with Head Cap Bolts.

Tighten bolts using Hex Wrench.

Assembly Instructions 5/8

Drawer (O)



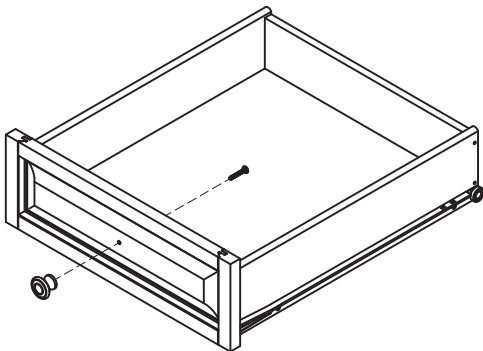
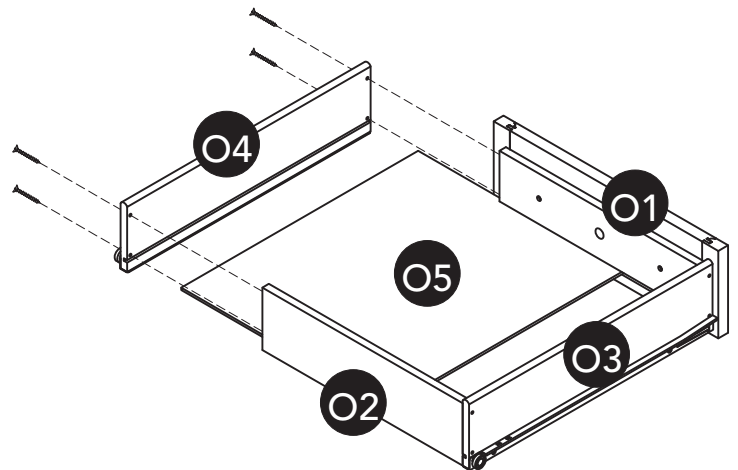
STEP 7

Attach Drawer Front (O1) and Drawer Back (O2) to Drawer Side (O3) with 1" Round Head Screws.

STEP 8

Slide Drawer Bottom (O5) into the grooves of Drawer Front (O1) and Drawer Back (O2) until it meets Drawer Side (O3).

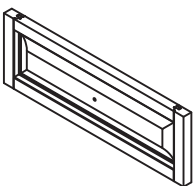
Attach Drawer Side (O4) to unit with 1" Round Head Screws.



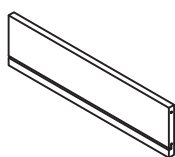
STEP 9

Attach Knobs with Machine Screws.

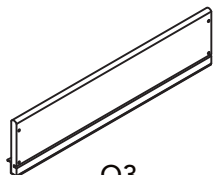
Part List



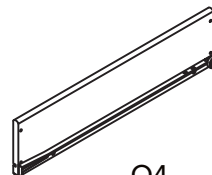
O1.
Drawer Front
2 pcs.



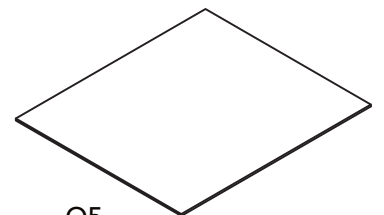
O2.
Drawer Back
2 pcs.



O3.
Drawer Side
2 pcs.



O4.
Drawer Side
2 pcs.



O5.
Drawer Bottom
2 pcs.

Assembly Instructions 6/8

STEP 10

Attach Doors (M) and (N) to unit, by sliding the door lift hinges into the side panel lift hinges. (See Figure 5)

Assemble Knobs to Doors (M) and (N) with Machine Screws. (See Figure 6)

Level the unit by adjusting the adjustable levelers on the bottom of unit. (See Figure 7)

Insert 3/4" Round Head Screws into the pre-drilled holes in the back panel.

Note : Please make sure unit is level before tightening these screws.

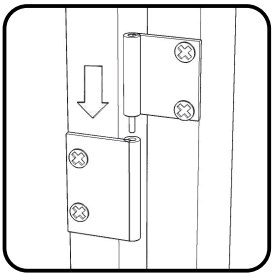
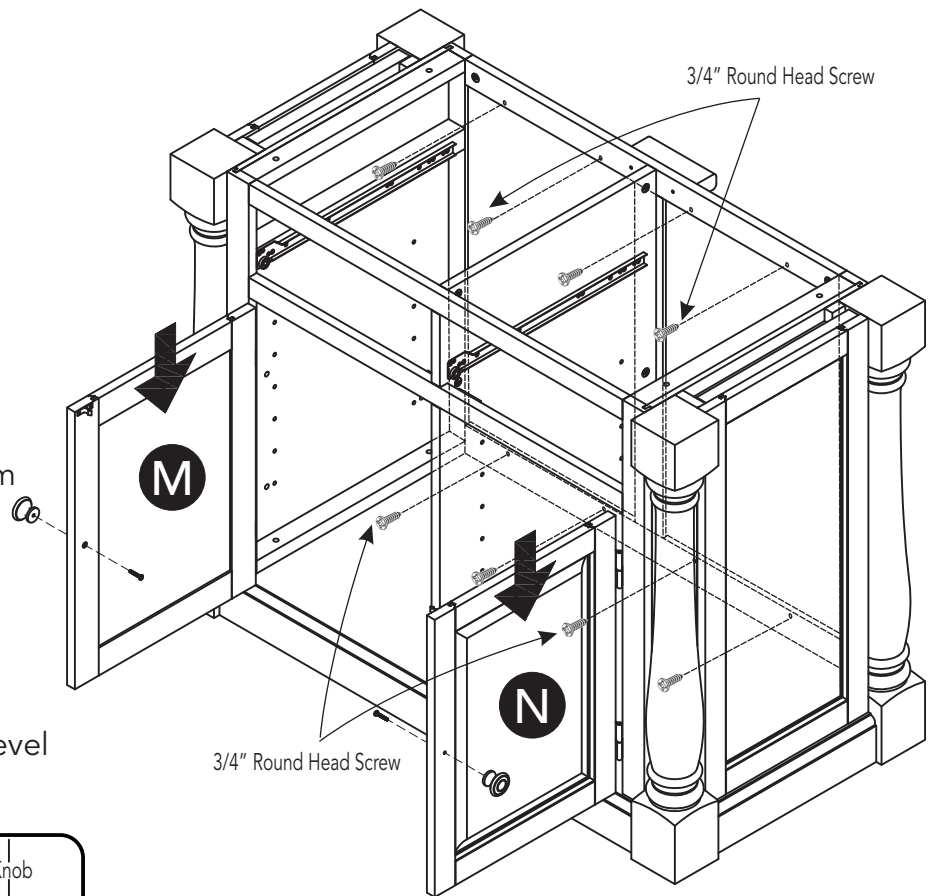


Figure 5

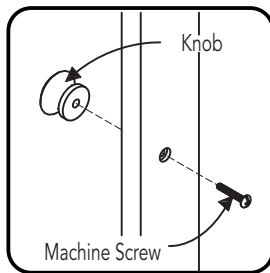


Figure 6

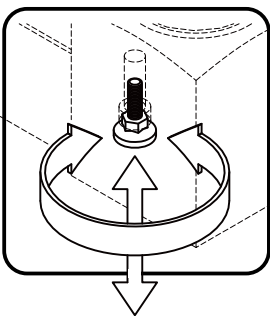


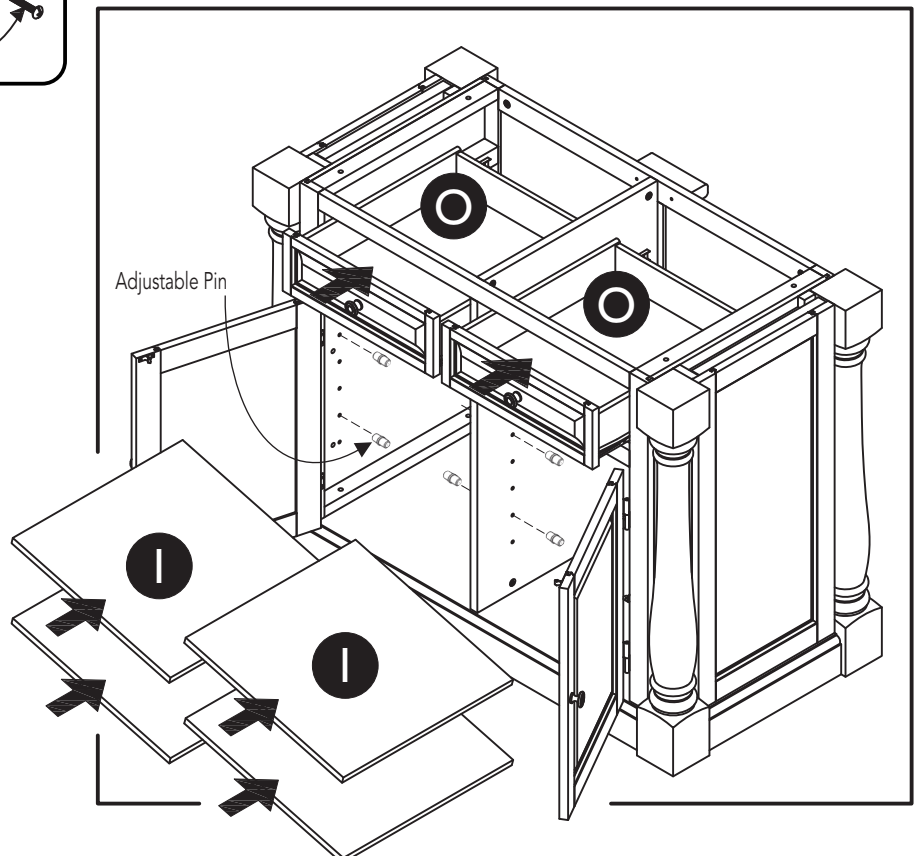
Figure 7

STEP 11

Slide Drawers (O) into place.

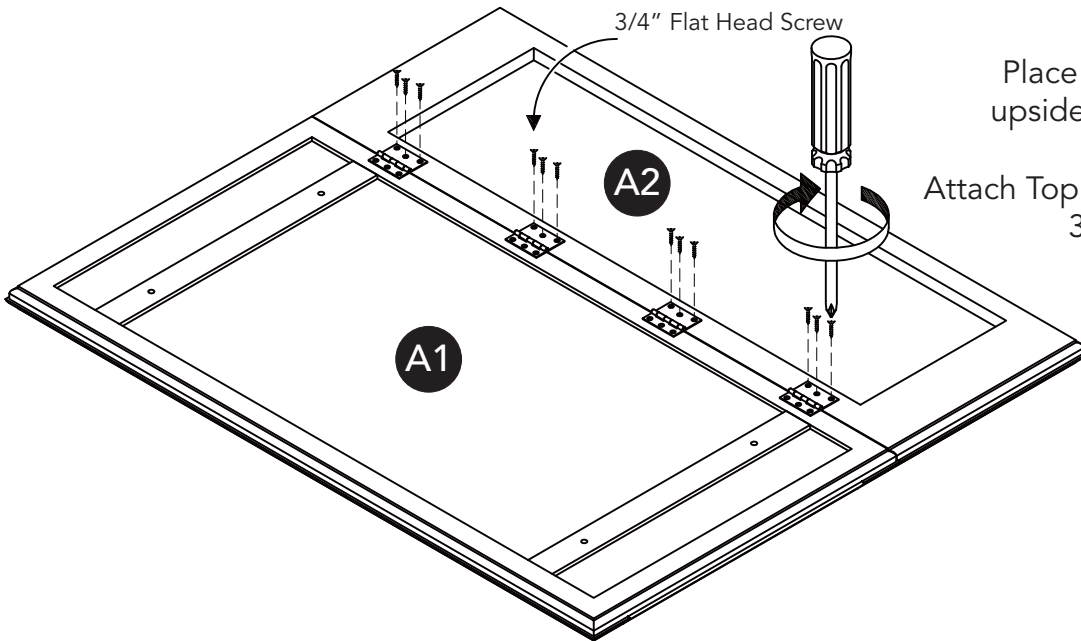
Insert Adjustable Pins into side panels and middle panel at the desired level.

Slide Shelves (I) into position.



Assembly Instructions 7/8

STEP 12



Place Top (A1) and Top (A2) upside down on a soft cloth.

Attach Top (A1) to Top (A2) using 3/4" Flat Head Screws.

STEP 13

Pull out the Drawers from unit.

Attach Top (A) to the unit with Head Cap Bolts and Flat Washers.

Tighten bolts using Hex Wrench.
(See Figure 8)

Slide Drawer into place.

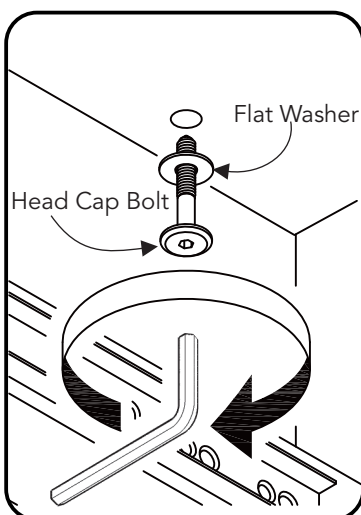
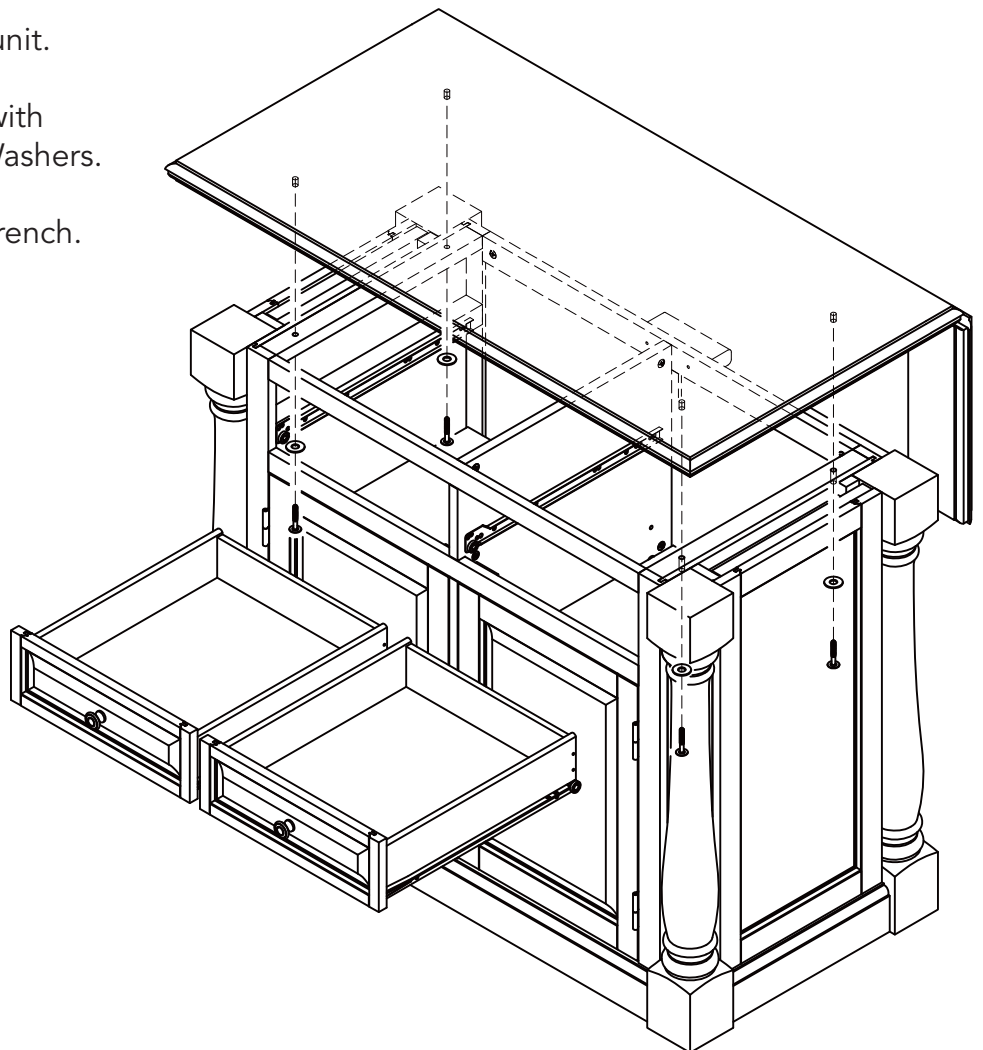
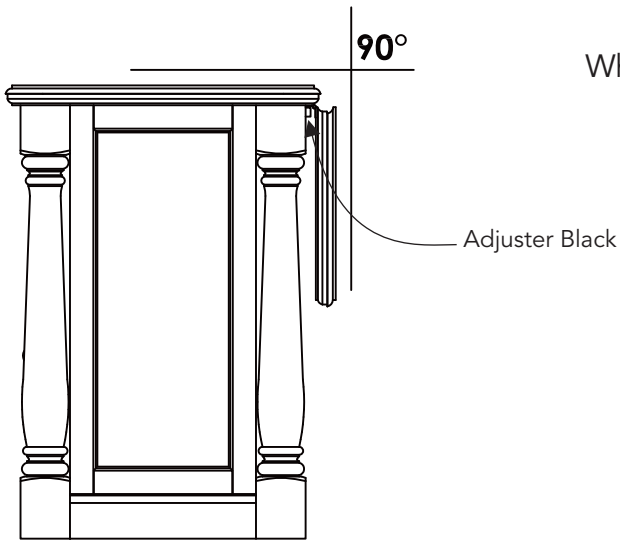


Figure 8

STEP 14



When Leaf Top is down, it should be oriented vertically.

If it is not vertical and adjustment is desired, turn the adjuster on the adjuster block on back rail.
(See Figure 9)

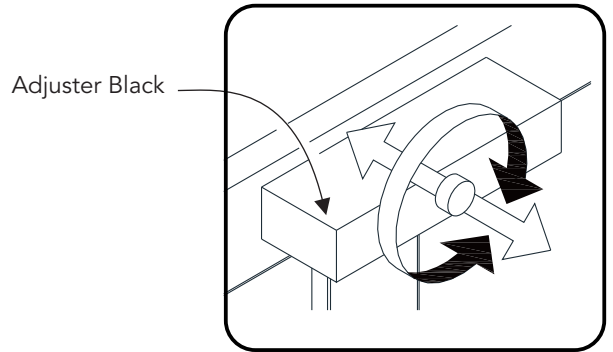
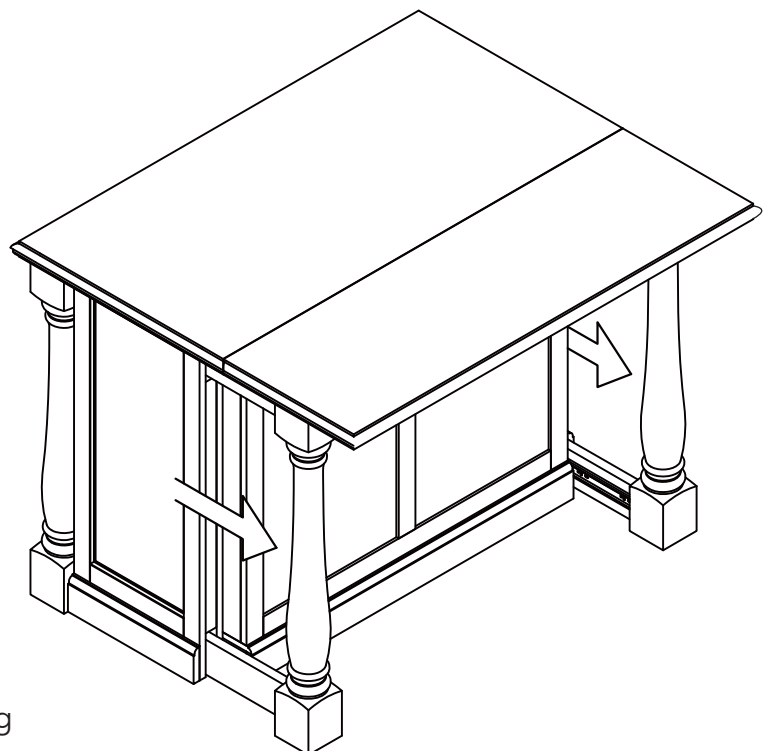
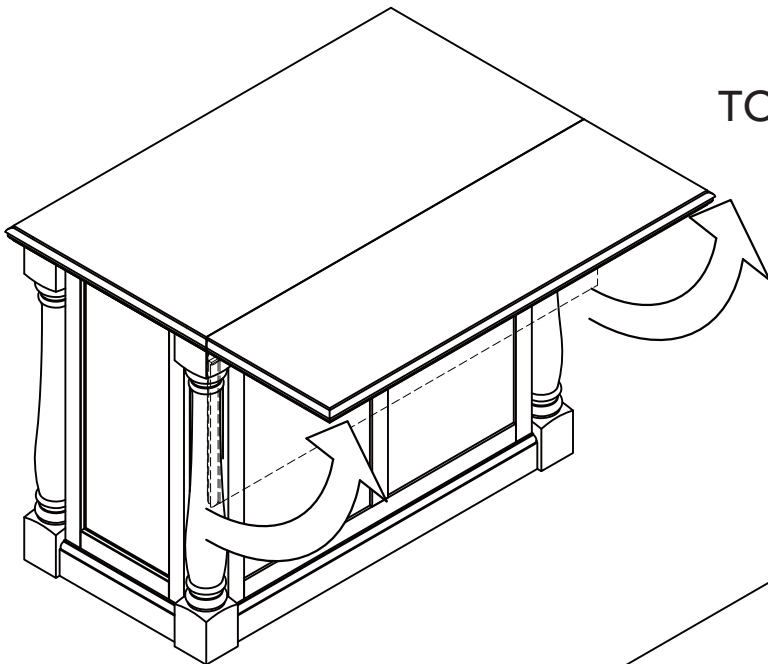


Figure 9

TOP EXTENSION INSTRUCTIONS

STEP 15

Lift up the Leaf Top.



STEP 16

Holding the Leaf Top up, pull out a back leg from the unit; then pull out the other leg.

CARE INSTRUCTIONS

NEVER

allow liquids to remain on furniture.
Absorption causes parts to warp
and split and finishes to delaminate.

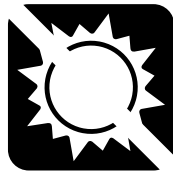
NEVER

use glass cleaners on
finished furniture. Ammonia
chemically attacks the finish.



Do not use power tools
above 8 volts to assemble.

**PREVENT
CRACKING**



Do not place
in direct sunlight.

**PREVENT
FADING**



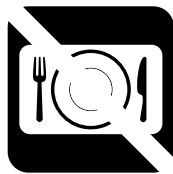
Do not write
directly on surface.

**PREVENT
MARKING**



Do not place hot
objects on surface.

**PREVENT
FINISH DAMAGE**



Do not use rubber
based placemats.

**PREVENT
DISCOLORING**



Do not use commercial
waxes and polishes.

**PREVENT
YELLOWING**

CLEAN

with a soft cloth moistened
in lukewarm soap and water.
Buff with a dry clean cloth.



Home Styles will provide replacements free of charge for missing or damaged hardware or parts within 30 days of purchase. Digital images of the defective parts may be required. If the product was not purchased from an authorized retail affiliate, Home Styles is under no obligation to provide replacement parts. Parts are not available for fully assembled items nor are parts available for sale. Replacements for missing or damaged hardware or parts may be requested at:

www.homestyles-furniture.com/customer-service/replacement-parts

Home Styles Customer Service: www.homestyles-furniture.com,
servicedesk@homestyles-furniture.com, 888-680-7460, 877-831-0319